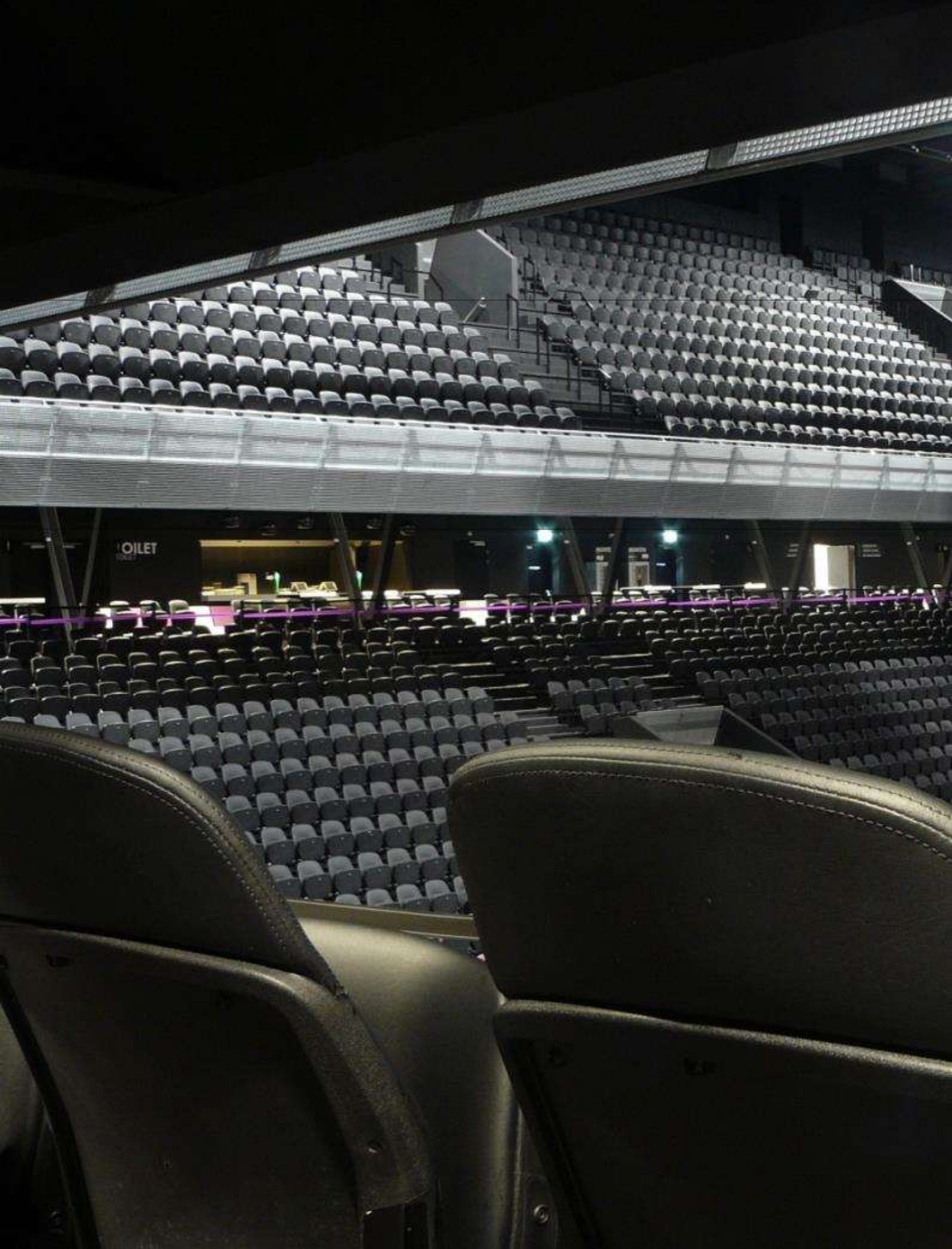


bluecube³

integra



Integra seats installed at the Ziggo Dome, Amsterdam, Holland







integra seat modules are available in two sizes -

460mm – typically used as a general admission seat in indoor arenas because it can be installed at 500mm spacing with an armrest (either integrated or independent)

480mm - typically specified in VIP and Club areas the 480 module can only be installed at 500mm spacing when armrests are not required - high backrest option is available increasing the back height by 150mm.

Strength & Durability

integra seat modules - rail support structure – meet the requirements BS EN 12727 test level 4.

Fire Resistance

integra seat modules meet the requirements BS EN 5852 Crib 5.

Weathering

integra 17 standard plastic colours are tested in accordance with BS EN ISO 4892 – 2 & 2 – Xenon Arc Testing
'Methods Of Exposure To Laboratory Light Sources'



integra compact folded envelope makes it an ideal choice for use on low – rise telescopic platforms - available in plastic or with upholstery cushions.





integra model IT200 in signal green installed on telescopic.

C01 Black

C02 Brown

C03 Neutral Grey

C04 Signal Green

C05 Dark Green

C06 Light Blue

C07 Signal Blue

C08 Galaxy Blue

C09 Purple

C10 Burgundy

C11 Cardinal Red

C12 Orange

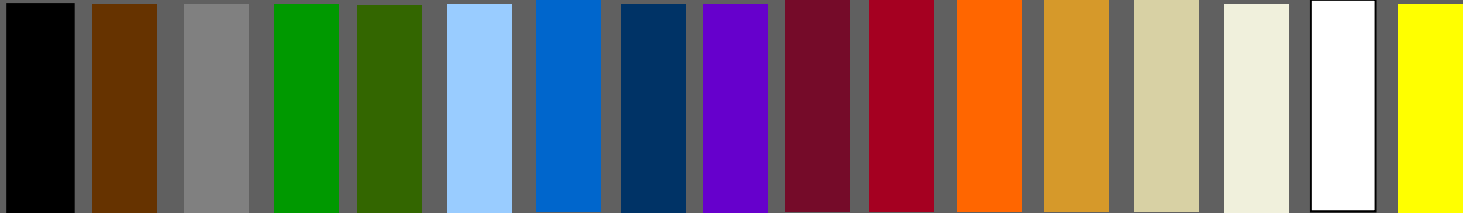
C13 Gold

C14 Beige

C15 Off White Sand

C16 White

C17 Signal Yellow







integra model IT202-460

integra model IT222 is available in both 480mm and 460mm seat module widths – this model has an upholstered cushion applied to the standard integra plastic seat base and an extended height backrest cushion – the backrest features a $\frac{3}{4}$ height plastic protective panel to rear. - IT222 can be installed on either fixed tribunes or telescopic platforms (dependant on telescopic unit specifications) Available in our full range of vinyl or fabric covers the IT222 model provides a high level comfort upgrade value the IT202.

integra model IT222 without armrests



integra model IT223 is available in both 480mm and 460mm seat module widths – in addition to all the features of the IT222 a plastic trim to the front of the seat base gives the IT223 a fuller more and more sophisticated aesthetic.

integra model IT223 with shared integrated armrests



Integra seat modules IT253 & IT263 are available in both 480mm and 460mm module widths. The models are a 'hybrid' combining aspects of both our decra and **integra** seat models.

These models bridge the product requirement gap of the Arena & Performing Arts markets – the seat is fully upholstered giving excellent acoustic absorption – the backrest has a cushion to the front but has a protective plastic outer to the rear – ensuring easy cleaning and durability from shoe damage.



integra model IT253-46 standard height backrest



integra model IT263-48 high back



integra model IT263-48 high back

integra independent armrests can be fitted with a front facing cup – holder – a rear mounted cup – holder is also available.



integra model IT200
with independent armrest (fig 1)



integra model IT223
with double integrated armrest (fig 3)

integra model IT223
with shared integrated armrest (fig 2)









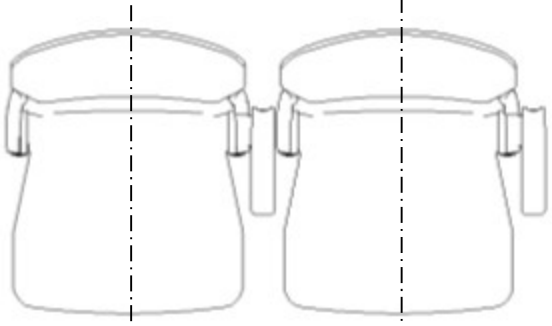
integra models are available with two armrest options – attached directly to the seat module (integrated) or alternatively – mounted independently from the seat module on cast aluminium post - selection is dependant on final application but can be explained as follows -

-**Independent** armrests can be positioned to divide – exactly - the space between seat modules - this is useful where row lengths dictate wide variations in seat spacing. (fig 1)

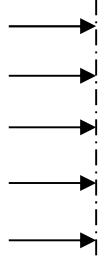
-**Integrated** armrests can also be shared between seats - **shared integrated armrest** - this option is the most cost effective way to specify armrests and can be used in most situations as seat spacing is usually pre-planned at 500mm spacing. (fig 2)

-Integrated double armrests is the perfect solution where seat spacing is pre-planned at 600mm or greater – these areas are usually for VIP or Club where armrests are required to each side of every seat – **double integrated armrests**. (fig 3)

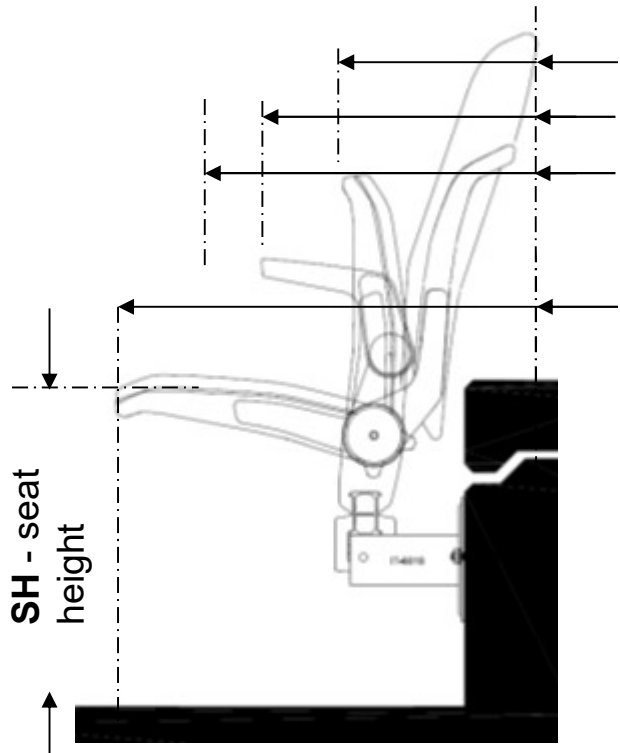
integra	200-46 2300	202-46 2300	253-46 2300	223-46 2300	202-48 2300	223-48 2300
seat option	polymer	cushion	Full upholstery	Cushion with insert trim panel	cushion	Cushion with insert trim panel
backrest option	polymer	cushion	cushion	Extended height cushion	cushion	Extended height cushion
SC - min spacing seat centres chair only	456	456	456	456	485	485
SCSA - min spacing seat centres shared armrest	490	490	490	490	515	515
SCDA - min spacing, seat centres double armrests	540	540	540	540	560	560
SCFC - min spacing seat centres front cupholder	490	490	490	490	515	515
SCWT - min spacing seat centres with writing tablet	540	540	540	540	570	570
EC - envelope (chair only)	264	264	265	295	275	321
EA - envelope (with armrest)	377	377	378	405	388	431
EFC - envelope with front cupholder	486	486	486	514	497	539
ES - envelope seat down	570	574	590	601	586	628
SH - seat height	450	450	450	450	450	450
OH - overall height	815	821	821	958	818	955
FD - folded depth	810	812	812	955	812	956
FH - folded height * 10mm higher when fitted with gas strut	165	167	167	205	211	230
FHWT - folded height with writing tablet	183	182	182	194	Tablet not recommended on TX with 480 module	Tablet not recommended on TX with 480 module
RH - Platform Riser Height (depends on platform)	250mm (10")	250mm (10")	250mm (10")	300mm (12")	300mm (12")	300mm (12")
Dimensional tolerances: +/- 3mm 05/08/2019						



Seat centres (spacing)



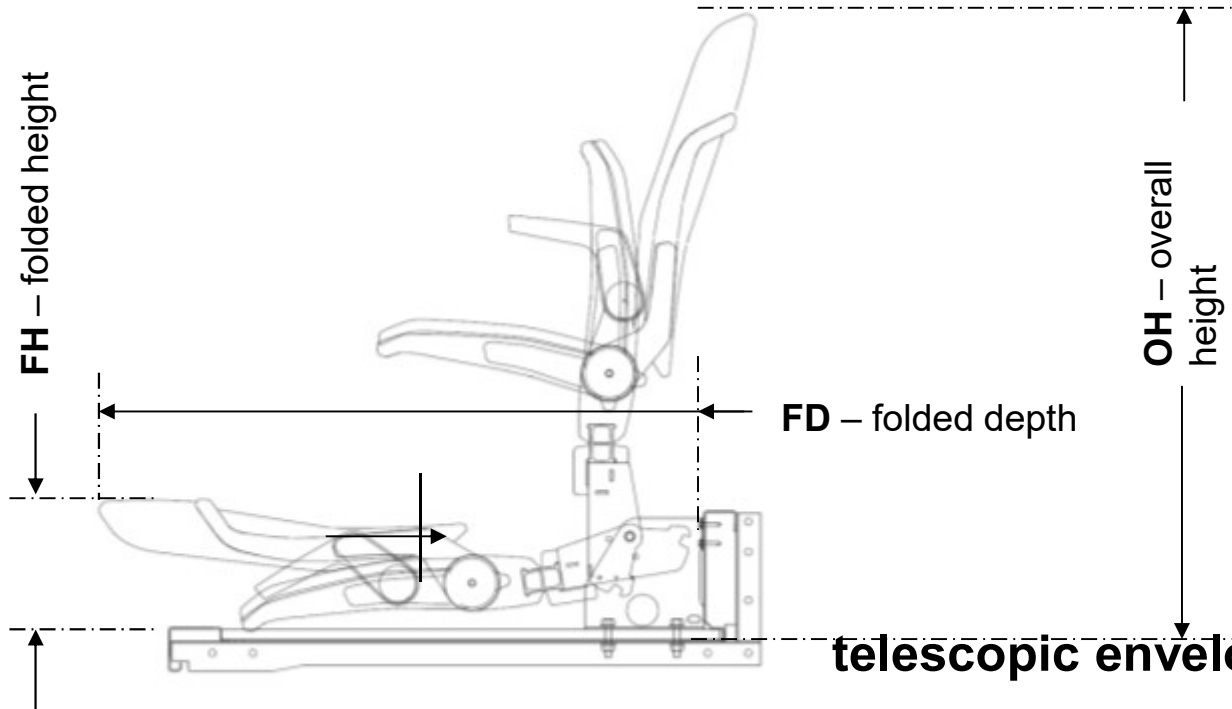
- ← **SC** - min spacing, seat centres chair only
- ← **SCSA** - min spacing, seat centres shared armrest
- ← **SCDA** - min spacing, seat centres double armrests
- ← **SCFC** - min spacing, seat centres shared front cup holder
- ← **SCWT** - min spacing, seat centres **scribe** writing tablet



- ← **EC** - envelope (chair only)
- ← **EA** - envelope (with armrest)
- ← **EFC** - envelope (with front cupholder)
- ← **ES** - envelope (with seat down)

SH - seat height

Seat envelopes



FH - folded height

FD - folded depth

OH - overall height

telescopic envelopes



integra telescopic fold-down specifications

- **integra** fold-down mechanisms can be specified as 1 of 3 options dependant on budget and chair module specification.
 1. **manual** – integrated foot bar mechanism that trips the chairs and allows for an easy fold. No spring assist with setting chairs up.
 2. **semi-automatic with foot release** – integrated foot bar mechanism that trips the chairs and allows for an easy fold. Spring assisted when raising the chairs to the upright position, and dampening on lowering the chairs to the deck – a gang of up to 12 seats can be lifted by one person.
 3. **semi-automatic with automatic release** – spring assist in setting up chairs when the platform is open. Chairs automatically fold down as the system is closing
- **integra** fold-down (FD) mechanisms are designed to reduce the ‘folded depth’ of the seat to 800mm as a minimum, models will vary see dimension table.
- **integra** min folded-height (FH) is min 145mm as a minimum, models will vary see dimension table.