



Page



C01 Black

C02 Brown

C03 Neutral Grey

C04 Signal Green

C05 Dark Green

C06 Light Blue

C07 Signal Blue

C08 Galaxy Blue

C09 Purple

C10 Burgundy

C11 Cardinal Red

C12 Orange

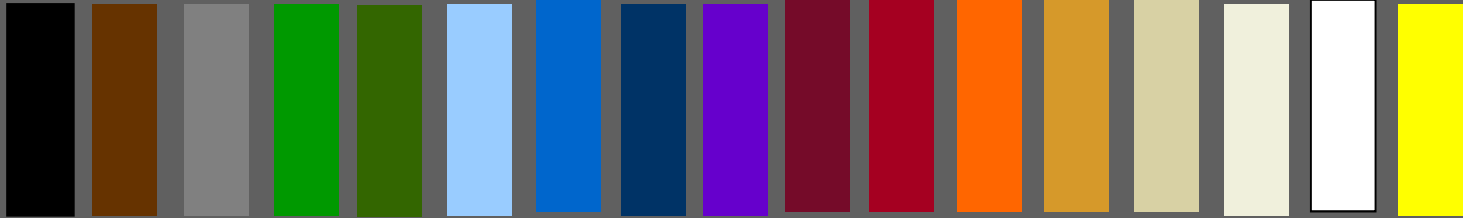
C13 Gold

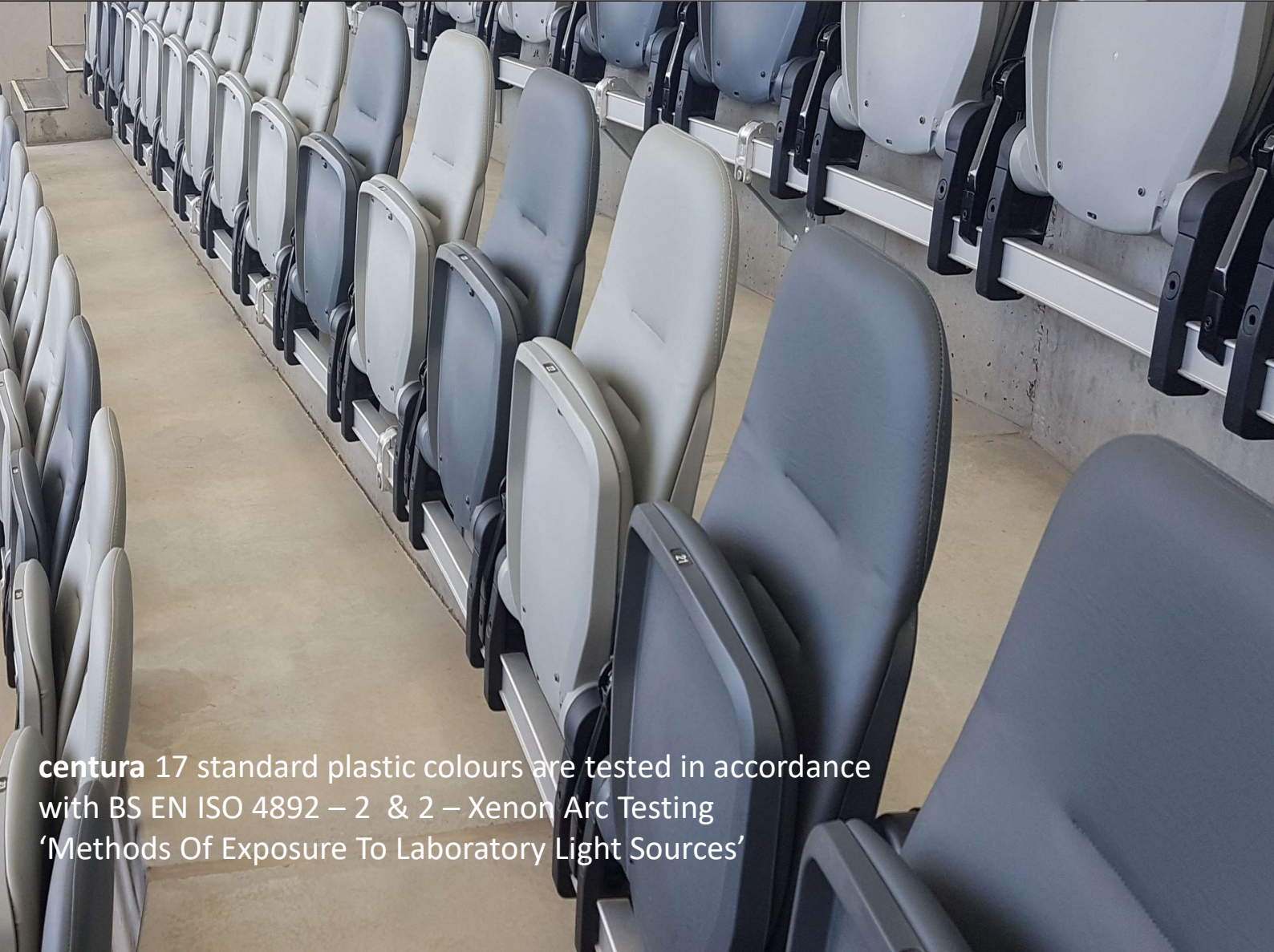
C14 Beige

C15 Off White Sand

C16 White

C17 Signal Yellow



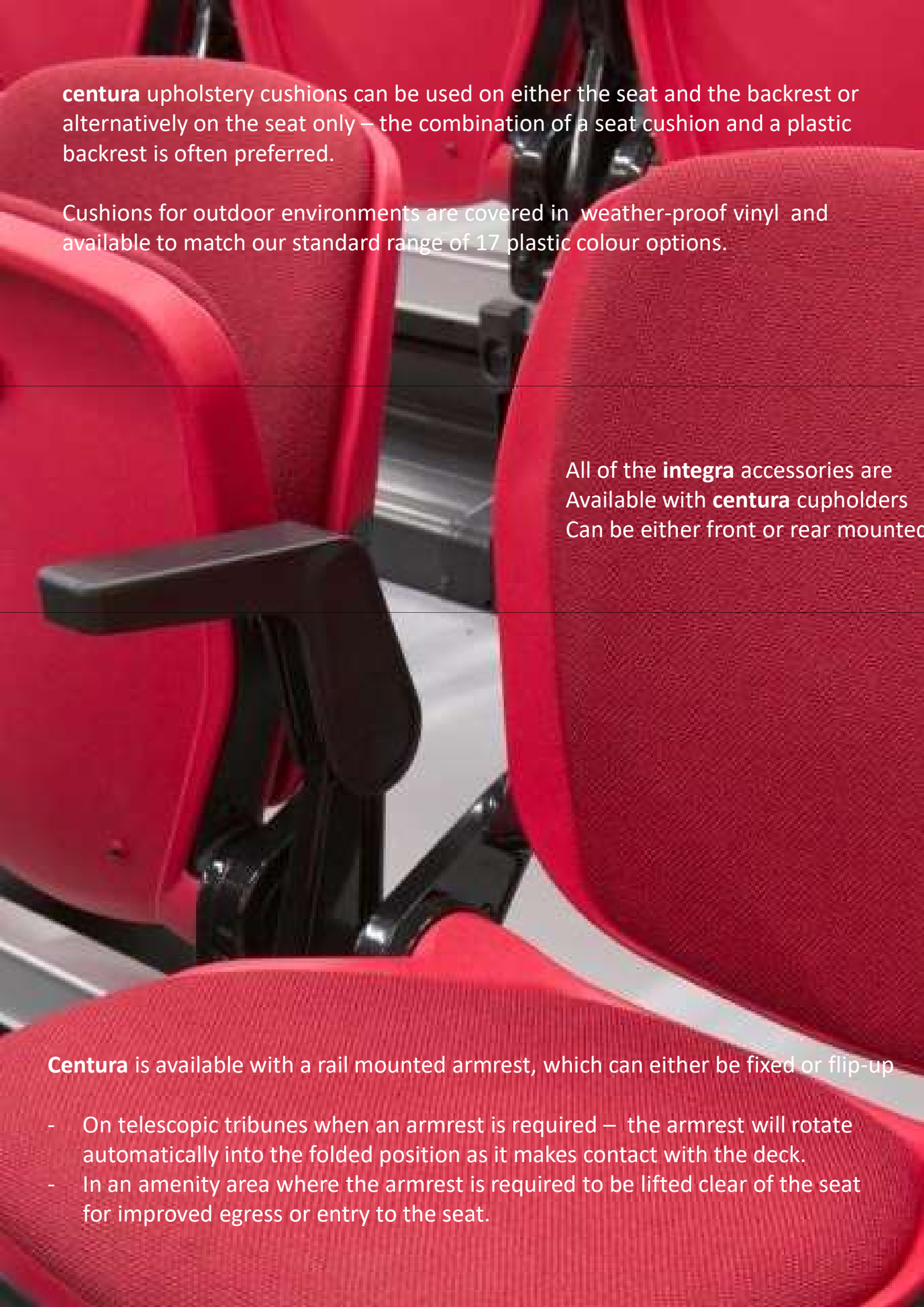


centura 17 standard plastic colours are tested in accordance with BS EN ISO 4892 – 2 & 2 – Xenon Arc Testing 'Methods Of Exposure To Laboratory Light Sources'

**centura** seat numbers are recessed to prevent tampering - printed with UV stable inks – seat numbers are impervious to weather damage.

Located on the front edge of the seat for easy visibility



The image shows a close-up view of several rows of red stadium seats. The seats have a textured, fabric-like appearance. Black armrests are visible, attached to the seats. The background is slightly blurred, showing more rows of seats and the structure of the stadium.

**centura** upholstery cushions can be used on either the seat and the backrest or alternatively on the seat only – the combination of a seat cushion and a plastic backrest is often preferred.

Cushions for outdoor environments are covered in weather-proof vinyl and available to match our standard range of 17 plastic colour options.

All of the **integra** accessories are Available with **centura** cupholders Can be either front or rear mounted

**Centura** is available with a rail mounted armrest, which can either be fixed or flip-up

- On telescopic tribunes when an armrest is required – the armrest will rotate automatically into the folded position as it makes contact with the deck.
- In an amenity area where the armrest is required to be lifted clear of the seat for improved egress or entry to the seat.



### **Strength & Durability**

**centura** seat modules - rail support structure – meet the requirements BS EN 12727 test level 4.

### **Fire Resistance**

**centura** seat modules meet the requirements BS EN 5852 Crib 5.

### **Weathering**

**centura** 17 standard plastic colours are tested in accordance with BS EN ISO 4892 – 1 & 2 – Xenon Arc Testing  
'Methods Of Exposure To Laboratory Light Sources'



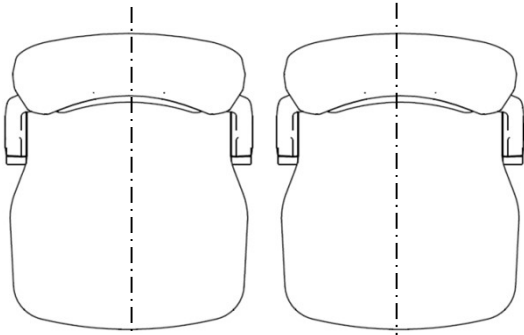
centura telescopic application

- **centura** fold-down mechanisms can be specified as 1 of 3 options dependant on budget and chair module specification.
  1. **manual** – integrated foot bar mechanism that trips the chairs and allows for an easy fold. No spring assist with setting chairs up.
  2. **semi-automatic with foot release** – integrated foot bar mechanism that trips the chairs and allows for an easy fold. Spring assisted when raising the chairs to the upright position, and dampening on lowering the chairs to the deck – a gang of up to 12 seats can be lifted by one person.
  3. **semi-automatic with automatic release** – spring assist in setting up chairs when the platform is open. Chairs automatically fold down as the system is closing

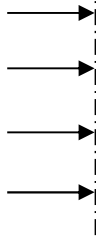
<b>centura</b>	<b>CT300-46</b>	<b>CT302-46</b>	<b>CT300-48</b>	<b>CT302-48</b>
	<b>Plastic seat and back</b>	<b>Padded seat and back</b>	<b>Plastic seat and back</b>	<b>Padded seat and back</b>
<b>SC</b> - min spacing, seat centres chair only	460	460	480	480
<b>SCFC</b> - min spacing, seat centres, front cupholder	490	490	510	510
<b>SCWT</b> - min spacing, seat centres with writing tablet	540	540	560	560
<b>EC</b> – Full Tip – envelope ( chair only)	234	234	234	234
<b>EA</b> - envelope ( with armrest)	350	350	350	350
<b>EFC</b> - envelope ( front standard cup holder)	460	460	460	460
<b>ES</b> - envelope ( with seat down)	530	533	532	532
<b>SH</b> - seat height (Sit down)	450	450	450	450
<b>OH</b> - overall height (7237)	831	836	831	836
<b>FD</b> - folded depth (7237)	830	830	830	830
<b>FH</b> - folded height on TX mech (7237 W/O Tablet)	148	163	143	158
<b>FH</b> - folded height on TX mech (7237 W/ Tablet)	158	173	153	168

Dimensional tolerances: +/- 3mm  
05/08/2019





**seat centres ( spacing)**



- ← **SC** - min spacing, seat centres chair only
- ← **SCSA** - min spacing, seat centres shared armrest
- ← **SCFC** - min spacing, seat centres front cup holder
- ← **SCWT** - min spacing, seat centres **scribe** writing tablet

