

bluecube³

centura





centura in white

Cardinal Red



Burgundy



Orange



White



Off white sand



Black



Light blue



Signal blue



Galaxy blue



Purple



Signal green



Dark green



Beige



Gold



Brown



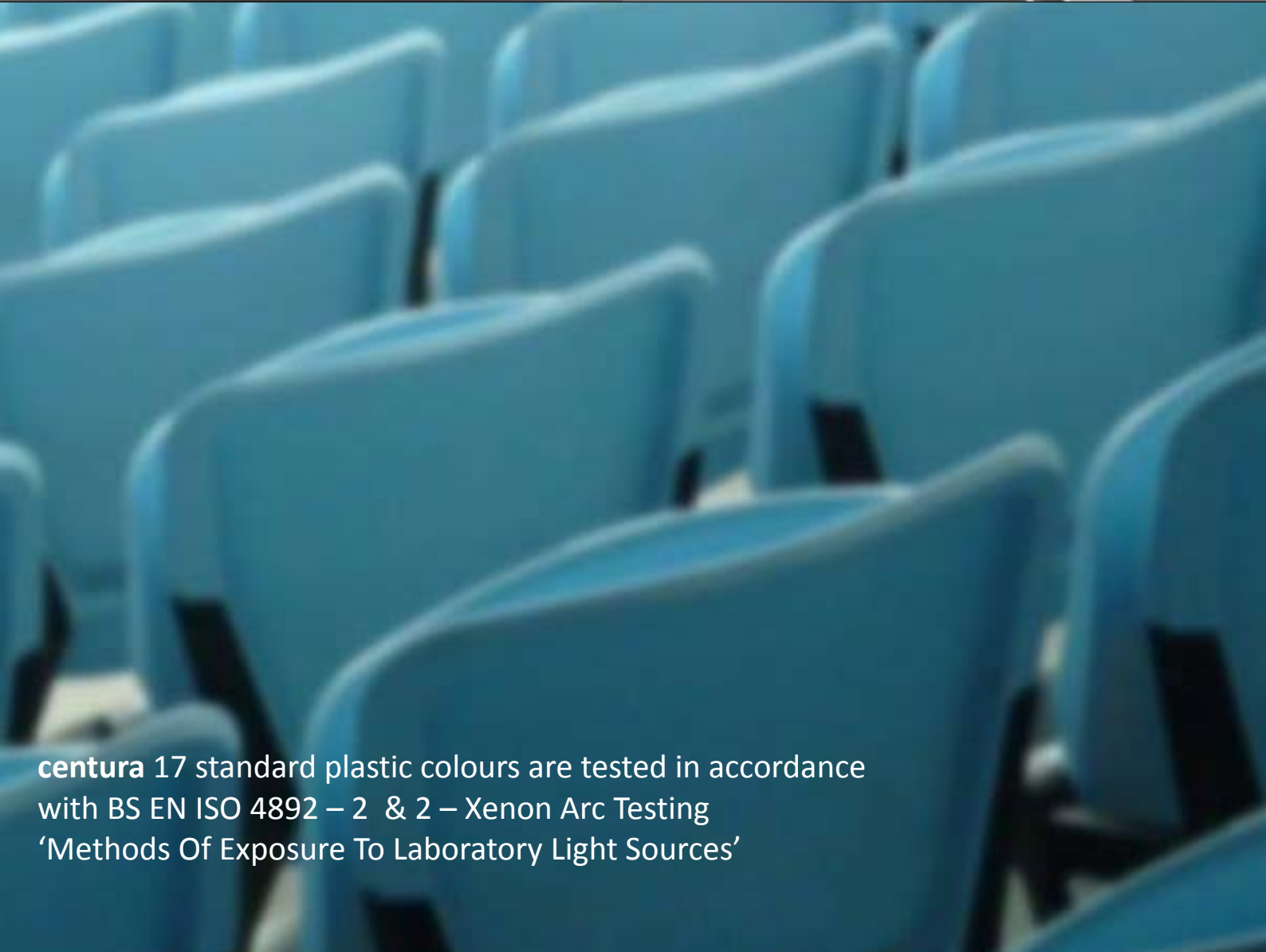
Neutral grey



Signal yellow








centura 17 standard plastic colours are tested in accordance with BS EN ISO 4892 – 2 & 2 – Xenon Arc Testing 'Methods Of Exposure To Laboratory Light Sources'

centura seat numbers are recessed to prevent tampering - printed with UV stable inks – seat numbers are impervious to weather damage.

Located on the front edge of the seat for easy visibility





centura upholstery cushions can be used on either the seat and the backrest or alternatively on the seat only – the combination of a seat cushion and a plastic backrest is often preferred.

Cushions for outdoor environments are covered in weather-proof vinyl and available to match our standard range of 17 plastic colour options.

All of the **integra** accessories are Available with **centura** cupholders Can be either front or rear mounted

Centura is available with a railmounted armrest, which can either be fixed or flip-up

- On telescopic tribunes when an armrest is required – the armrest will rotate automatically into the folded position as it makes contact with the deck.
- In an amenity area where the armrest is required to be lifted clear of the seat for improved egress or entry to the seat.



Strength & Durability

centura seat modules - rail support structure – meet the requirements BS EN 12727 test level 4.

Fire Resistance

centura seat modules meet the requirements BS EN 5852 Crib 5.

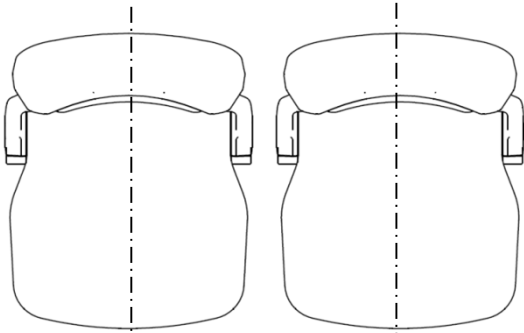
Weathering

centura 17 standard plastic colours are tested in accordance with BS EN ISO 4892 – 1 & 2 – Xenon Arc Testing
'Methods Of Exposure To Laboratory Light Sources'



- **centura** fold-down mechanisms can be specified as 1 of 3 options dependant on budget and chair module specification.
- 1. **manual** – integrated foot bar mechanism that trips the chairs and allows for an easy fold. No spring assist with setting chairs up.
- 2. **semi-automatic with foot release** – integrated foot bar mechanism that trips the chairs and allows for an easy fold. Spring assisted when raising the chairs to the upright position, and dampening on lowering the chairs to the deck – a gang of up to 12 seats can be lifted by one person.
- 3. **semi-automatic with automatic release** – spring assist in setting up chairs when the platform is open. Chairs automatically fold down as the system is closing
- 4. **fully automatic** system where the seats open and close automatically with the telescopic unit is also available.

centura	300-46	302-46	300-48	302-48
	Plastic seat and back	Padded seat and back	Plastic seat and back	Padded seat and back
SC - min spacing, seat centres chair only	460	460	480	480
SCFC - min spacing, seat centres, front cupholder	500	500	520	520
SCWT - min spacing, seat centres with writing tablet	550	550	570	570
EC – ¾ Tip - envelope (chair only)				
EC – Full Tip – envelope (chair only)	220	220	220	220
EA - envelope (with armrest)	345	345	345	345
EFC - envelope (front cupholder)	474	474	474	474
ES - envelope (with seat down)	520	525	520	525
SH - seat height	450	450	450	450
OH - overall height	832	832	832	832
FD - folded depth	815	815	815	815
FH - folded height on TX mech – IT7230 W/O Tablet	150	165	150	165
FH - folded height on TX mech – IT7230 W/ Tablet	157	165	157	165
FH - folded height on TX mech – IT7231 W/O Tablet	150	162	150	162
FH - folded height on TX mech – IT7231 W/ Tablet	157	165	157	165
RH - Platform Riser Height (depends on platform)				



seat centres (spacing)

- ← **SC** - min spacing, seat centres chair only
- ← **SCSA** - min spacing, seat centres shared armrest
- ← **SCFC** - min spacing, seat centres front cup holder
- ← **SCWT** - min spacing, seat centres **scribe** writing tablet

